

# TEQSPORT OFFROAD LIFT SPACERS INSTALLATION MANUAL



This Installation Manual is intended for the following models:	
2005-2015	Toyota Tacoma (Second Gen)
2016-2023	Toyota Tacoma (Third Gen)
2010-2024	Toyota 4Runner (Fifth Gen)
2003-2009	Toyota 4Runner (Fourth Gen)

**PROLOGUE:**

Study these instructions completely before proceeding to assembly. The installer must have a thorough knowledge of automotive systems operation. If unfamiliar with any of the concepts outlined in this instruction, we recommend the installation be completed by a qualified professional.

**WARNING!**

Extreme caution should be taken when performing maintenance or performance upgrades to your vehicle. Please observe and abide by any Warning or Caution labels placed on the various components and tools used when servicing your vehicle. If you have any questions regarding installation or the various components included with the TEQSPORT Offroad Lift Spacers, consult with a Professional Mechanic or contact TEQSPORT for more information.

## PARTS INCLUDED:

Item	Quantity	Description
1	2	Lift Spacer
2	6	M10 x 1.5 Socket Head Screw, 30mm
3	12	M10 x 1.5 Flanged Locknut

## TOOLS REQUIRED:

- Hydraulic Jack
- (2) 2-Ton (or greater) Jack Stands
- Ratchet
- Ratchet Extension(s)
- Assorted Metric Wrenches
- Assorted Metric Sockets
- Torque Wrench
- Pliers
- Medium Strength Thread Locker
- Allen/Hex Keys
- Hammer
- Pry Bar
- Marker
- Cutoff Wheel/Dremel (optional)

## SAFETY REQUIREMENTS:

- Always wear safety glasses and any necessary protective garments. If using any fluids, chemicals, or solvents, a respirator is recommended.
- Always turn the ignition to the OFF position and disconnect the NEGATIVE battery terminal.
- Always use properly rated jack stands when working under your vehicle.
- Always keep limbs and parts away from moving drivetrain parts.
- Only operate the drivetrain in safe space and well-ventilated areas.

## BEFORE YOU BEGIN:

Remove contents from the TEQSPORT Offroad Lift Spacers and verify that ALL necessary hardware is present.

This installation was performed on a Third Generation Tacoma. Installation on a Second-Generation Tacoma or 4Runner may look slightly different but should otherwise be the same.

## PROCEDURE:

1. Place the transmission in Park position (or in Reverse gear if equipped with a manual transmission). Apply the parking brake.
2. Loosen but do not remove the lug nuts on the front wheels of the vehicle.
3. Locate the proper jacking points on the **vehicle's chassis** (refer to the **Vehicle's Owner's Manual**). Raise and support the vehicle using a jack and jack stands.
4. Remove the front wheels and lug nuts.
5. Disconnect the Sway Bar End-Link from the Spindle on each side of the vehicle and rotate the Sway Bar out of the way of the Spindle and Strut. *Figure 1.*



*Figure 1*

6. Disconnect the Brake Line Brackets on the Spindle and Upper Control Arm Brackets. This is not absolutely necessary, but it provides extra slack for the Brake Line when the Spindle is separated from the Upper Control Arm. *Figure 2.*



*Figure 2*

7. Remove the Cotter Pin from the Castle Nut on each Upper Ball Joint then loosen the Castle Nut but do not fully remove it. *Figure 3.*



*Figure 3*

8. Strike the side of where the Upper Ball Joint sits in the Spindle with a Hammer to separate the Ball Joint from the Spindle. There is a flat spot on the Spindle where you should hit. *Figure 4.*



*Figure 4*

9. Support the Spindle and remove the Castle Nut from the Upper Ball Joint. Once the Castle Nut is removed the Spindle can fall. *Figure 5.*



*Figure 5*

10. Remove the (3) three nuts securing the top of the OE Strut to the Strut Tower. Depending on the age of your vehicle, use of a Rust Penetrant on these nuts can help ease removal. *Figure 6.*



*Figure 6*

11. Remove the nut and bolt securing the bottom of the OE Strut to the Lower Control Arm. *Figure 7.*



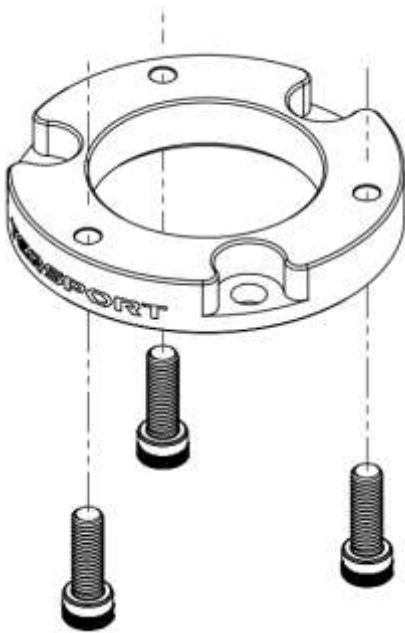
*Figure 7*

12. The OE Struts are now ready to be removed. Push the Lower Control Arm down and the Upper Control Arm up. This should allow enough clearance to pull the Front Struts out of the vehicle. *Figure 8.*



*Figure 8*

13. Locate the Lift Spacers and (6) six M10 x 1.5 Socket Head Screws, 30mm. Apply Medium Strength Locker to the threads of each Spacer.
14. Install (3) three Socket Head Screws into each Lift Spacer from the bottom and tighten them. Torque the Socket Head Screws to 33 ft-lbs. *Figure 9.*



*Figure 9*

15. Place a Lift Spacer on the top of each Strut Mount. Depending on the height of your Lift Spacer, you may need to trim the top of the OE Strut Mount Studs to prevent clearance issues to the Strut Tower. If you don't need to cut the OE Studs, skip to *Step 21*. *Figure 10*.



*Figure 10*

16. Use a Marker to mark any of the OE Mounting Studs above the Lift Spacer.
17. Remove the Lift Spacer from the Strut but reinstall the OE Nuts onto the Studs.
18. Use a Cutoff Wheel or Dremel and Trim the tops of the OE Strut Mounting Studs. *Figure 11*.



*Figure 11*

19. Remove the OE Nuts from the studs. This will help clean up the threads after cutting.
20. Install the Lift Spacers onto the top of the Struts.
21. Apply Medium Strength Thread Locker to the threads of the OE Studs and secure each Lift Spacer with (3) three M10 x 1.5 Flanged Locknuts. Torque the M10 Locknuts to 37 ft-lbs. *Figure 12.*



*Figure 12*

22. Reinstall the Struts into the vehicle. Use (3) three M10 x 1.5 Flanged Locknuts per side to secure the top of the Struts to the Shock Tower. Torque to 37 ft-lbs. *Figure 13.*



*Figure 13*

23. Reinstall the Lower Shock Mounting Bolt and Nut. Torque to 155 ft-lbs.

24. Reconnect the Spindle to the Upper Ball Joint and secure with the OE Castle Nut. Torque to 74 ft-lbs.  
Reinstall the Cotter Pin after torquing.
25. Reinstall any Brake Line Brackets if they were disconnected.
26. Reinstall the Sway Bar End-Links to the Spindle. Torque to 44 ft-lbs.
27. Reinstall the Front Wheel and Lug Nuts

END

Additional Technical Support:  
Contact TEQSPORT at [info@teqsport.com](mailto:info@teqsport.com)  
Or call 770-832-7184 between 9am and 6pm ET